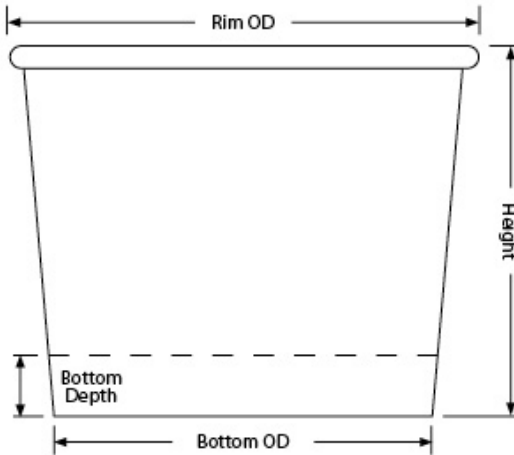




MNT8 8oz Container (T8)

8oz-T8 VANISH® Plastic-FREE Paper Container



Capacity: 8.00oz / 237.00ml

Material: 15.7pt VANISH® Plastic-FREE, Compostable, Recyclable Paper SFI PEFC Certified

Minimum: 1,000 pieces

Height: 2.634" ±.015

Rim Height: 0.150" ±.010

Rim OD: 3.321" ±.010

Bottom OD: 2.665" ±.010

Bottom Depth: 0.414" ±.010

Shipping: FOB NV

8oz Container (T8) available in [Double-Poly Paper](#)
[Plastic-Free Paper](#) [White Plastic](#)

MNT8 Standard Case Pack Configuration

Box Dimensions: 17.33"x13.45"x22.83"

Box Volume: 3.08 Cubic Feet

Box Weight: 28 lbs

Box Content: 1,000 Pieces

Pallet Dimensions: 40.00"x48.00"x96"

Pallet Weight: 717 lbs

Pallet Content: 24,000 Pieces / 24 Boxes

SEE LID OPTIONS ON LAST PAGE

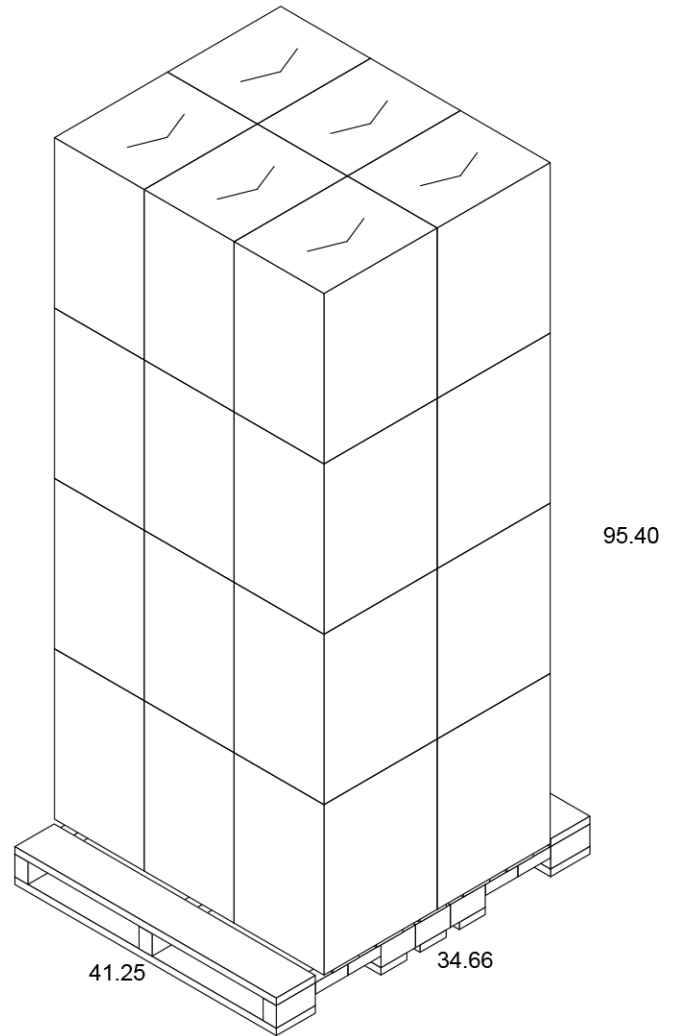
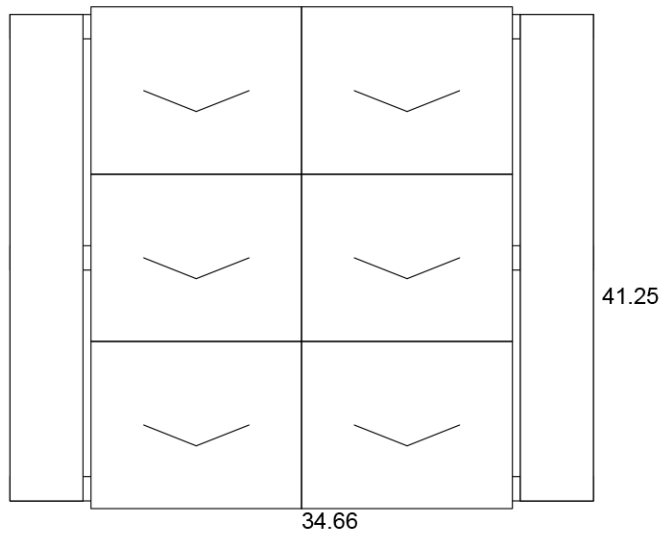
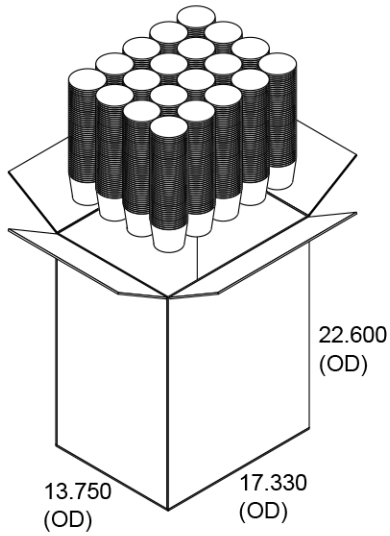
Specifications to be used for the evaluation and purchase of Visstun® products only and are subject to change without notice.

All orders are subject to 10% over to 10% under run.

VisstunPromo.com April 2026 Page 1/3

Pallet for MNT8 (Matte)

8oz-T8 VANISH® Plastic-FREE Paper Container



Lid Options for MNT8 (Matte)

8oz-T8 VANISH® Plastic-FREE Paper Container



P2 Printed Snap-Fit Paper

- Hi-Definition, Full Color
- Customizable
- Seamlessly registered text
- Uninterrupted text
- Three week leadtime
- Case: 500 - 9 lbs



Clear Single-Use Lid

- Clear, thermo-formed
- With & without straw slot
- Call for shipping info



Clear High Dome Lid

- Clear, thermo-formed
- With top opening
- Call for shipping info