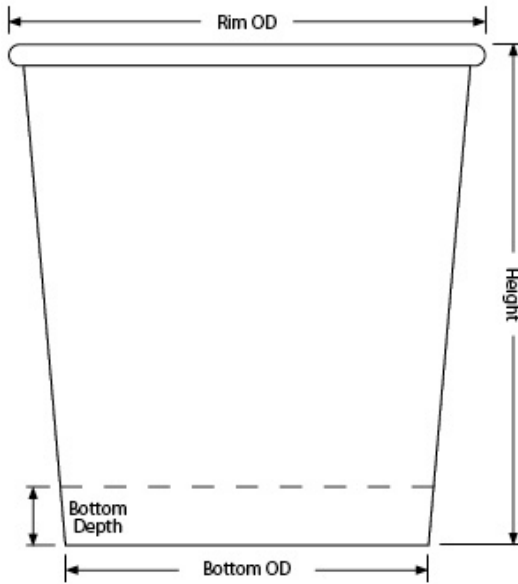




# MNT2 12oz Container (T2)

12oz-T2 VANISH® Plastic-FREE Paper Container



---

**Capacity:** 12.70oz / 376.10ml

---

**Material:** 16.9pt VANISH® Plastic-FREE, Compostable, Recyclable Paper SFI PEFC Certified

---

**Minimum:** 1,000 pieces

---

**Height:** 3.687" ±.015

---

**Rim Height:** 0.150" ±.010

---

**Rim OD:** 3.515" ±.010

---

**Bottom OD:** 2.665" ±.010

---

**Bottom Depth:** 0.414" ±.010

---

**Shipping:** FOB NV

---

12oz Container (T2) available in [Double-Poly Paper](#) [Single-Poly Paper](#) [Plastic-Free Paper](#) [Clear Plastic](#) [White Plastic](#)

---

## MNT2 Standard Case Pack Configuration

Box Dimensions: 18.10"x14.63"x23.38"

Box Volume: 3.58 Cubic Feet

Box Weight: 29 lbs

Box Content: 1,000 Pieces

Pallet Dimensions: 40.00"x48.00"x75"

Pallet Weight: 567 lbs

Pallet Content: 18,000 Pieces / 18 Boxes

SEE LID OPTIONS ON LAST PAGE

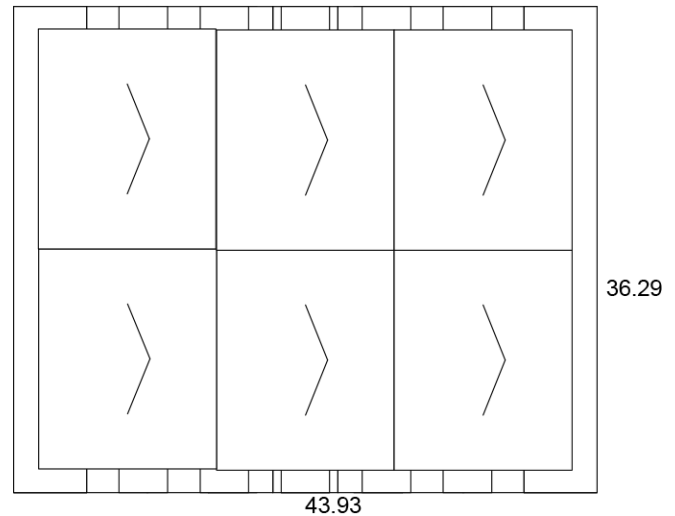
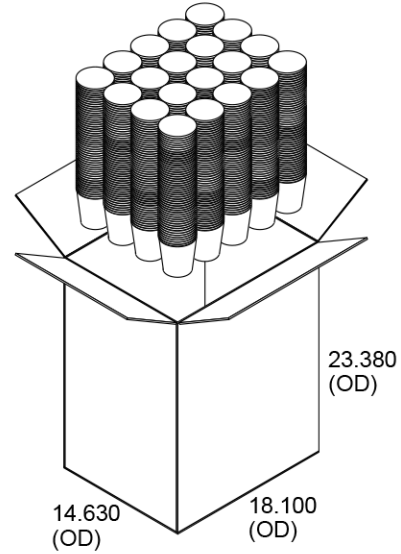
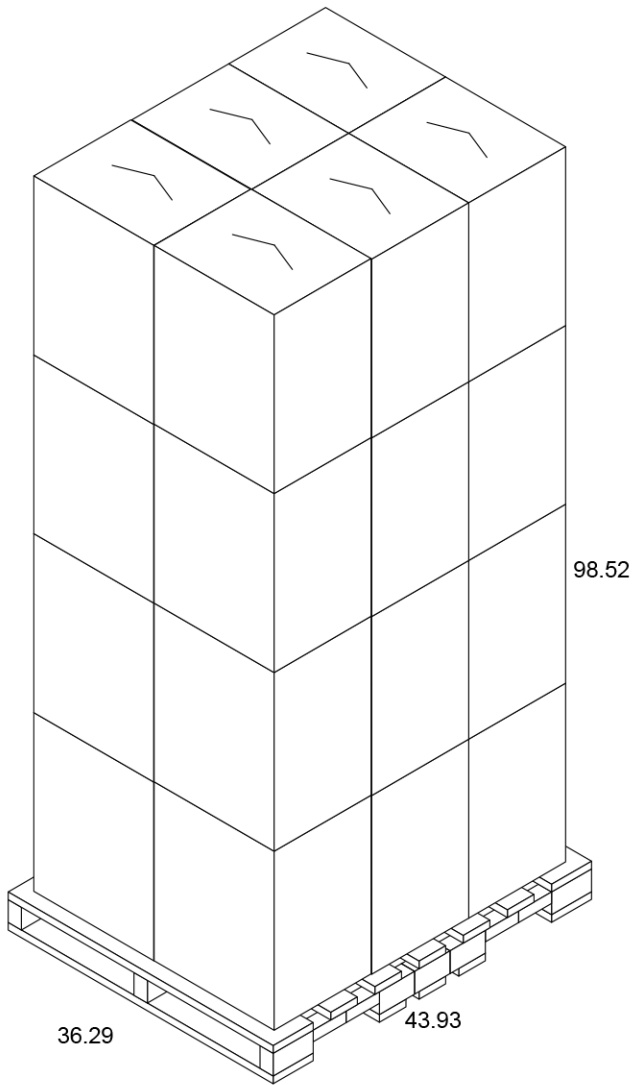
*Specifications to be used for the evaluation and purchase of Visstun® products only and are subject to change without notice.*

*All orders are subject to 10% over to 10% under run.*

*VisstunPromo.com April 2026 Page 1/3*

# Pallet for MNT2 (Matte)

12oz-T2 VANISH® Plastic-FREE Paper Container



## Lid Options for MNT2 (Matte)

12oz-T2 VANISH® Plastic-FREE Paper Container



### P2 Printed Snap-Fit Paper

- Hi-Definition, Full Color
- Customizable
- Seamlessly registered text
- Uninterrupted text
- Three week leadtime
- Case: 500 - 10 lbs



### Clear Single-Use Lid

- Clear, thermo-formed
- With & without straw slot
- Case: 1,000 - 7 lbs



### Clear High Dome Lid

- Clear, thermo-formed
- With top opening
- Case: 1,000 - 10 lbs



### Cappuccino Lid

- White/Black, thermo-formed
- Vented lid
- Case: 1,000 - 8 lbs