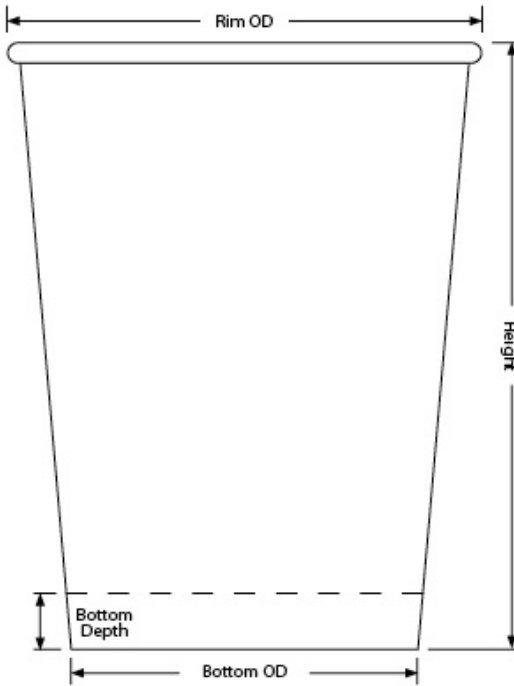




MN17 17oz Drink Cup (17)

17oz VANISH® Plastic-FREE Paper Cup



Capacity: 17.59oz / 520.00ml

Material: 16.9pt VANISH® Plastic-FREE, Compostable, Recyclable Paper SFI PEFC Certified

Minimum: 500 pieces

Height: 4.682" ±.015

Rim Height: 0.150" ±.010

Rim OD: 3.688" ±.010

Bottom OD: 2.665" ±.010

Bottom Depth: 0.414" ±.010

Shipping: FOB NV

17oz Drink Cup (17) available in [Double-Poly Paper](#)
[Plastic-Free Paper](#) [Clear Plastic](#)

MN17 Standard Case Pack Configuration

Box Dimensions: 18.88"x15.19"x25.28"

Box Volume: 4.20 Cubic Feet

Box Weight: 34 lbs

Box Content: 1,000 Pieces

Pallet Dimensions: 40.00"x48.00"x96"

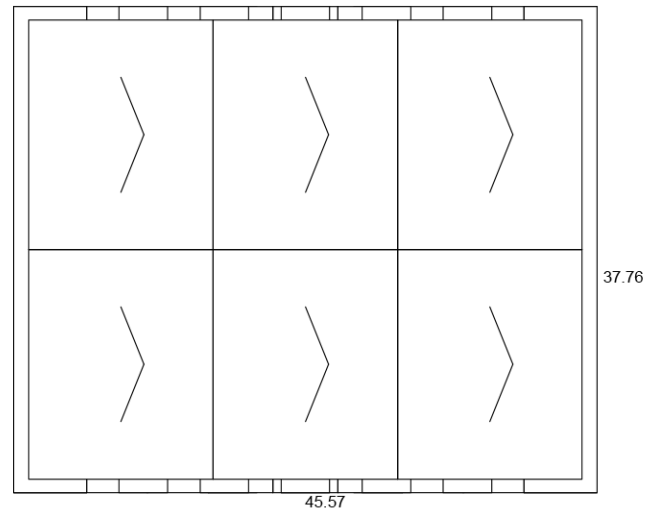
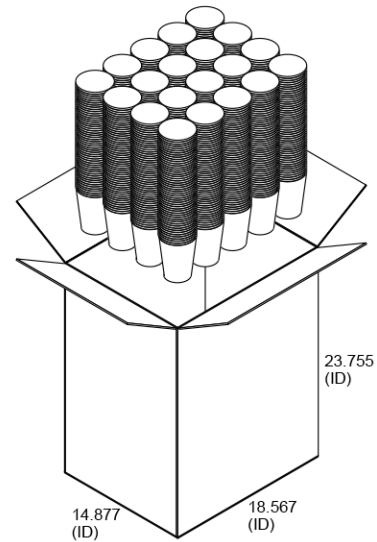
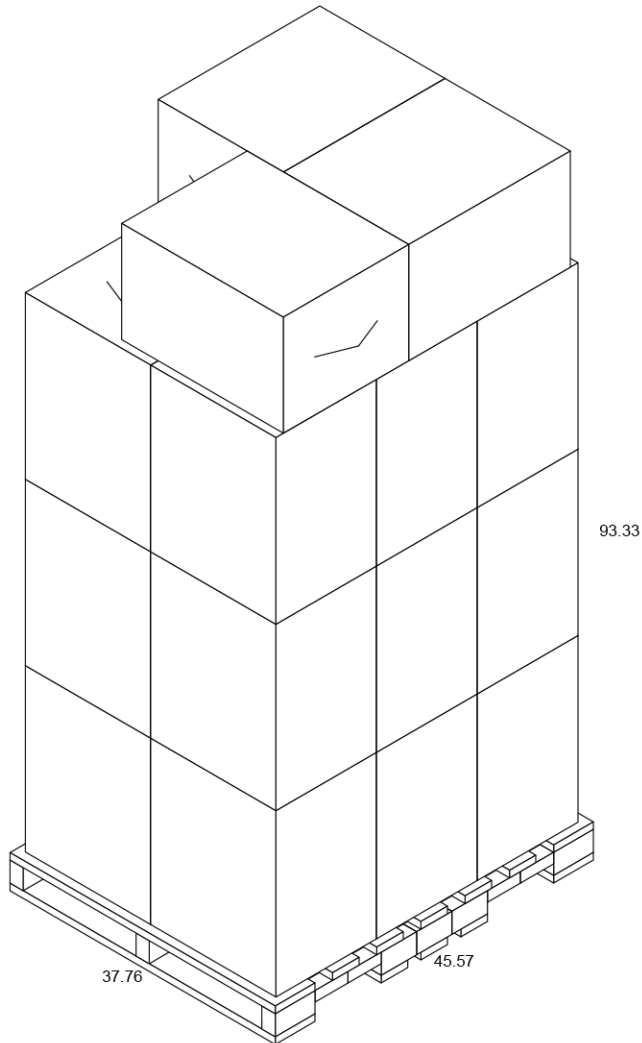
Pallet Weight: 759 lbs

Pallet Content: 21,000 Pieces / 21 Boxes

SEE LID OPTIONS ON LAST PAGE

Pallet for MN17 (Matte)

17oz VANISH® Plastic-FREE Paper Cup



Specifications to be used for the evaluation and purchase of Visstun® products only and are subject to change without notice.

All orders are subject to 10% over to 10% under run.

VisstunPromo.com April 2026 Page 2/3



Lid Options for MN17 (Matte)

17oz VANISH® Plastic-FREE Paper Cup



Reusable Basic Lids

- Reusable, injection molded
- Black & white standard
- With & without straw slot
- Case: 1,000 - 14 lbs



Clear Single-Use Lid

- Clear, thermo-formed
- With & without straw slot
- Case: 1,000 - 9 lbs



Clear High Dome Lid

- Clear, thermo-formed
- With top opening
- Case: 1,000 - 11 lbs