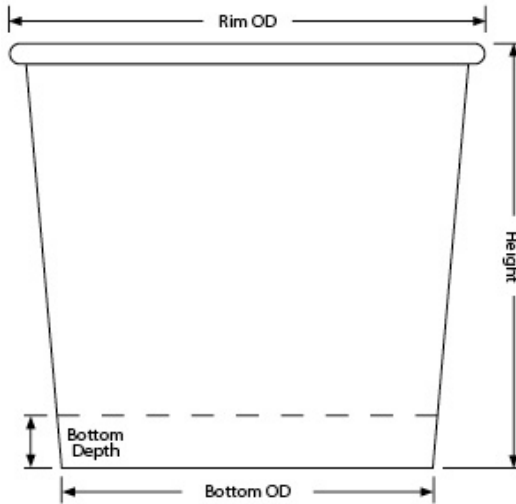




# C9U2 Mid 12oz Container (U2)

12oz Mid-U2 Paper Container-Double Poly



---

**Capacity:** 12.10oz / 358.80ml

---

**Material:** 18pt Paper, Poly 2-sides, FSC SFI PEFC Certified

---

**Minimum:** 1,000 pieces

---

**Height:** 3.250"  $\pm$ .015

---

**Rim Height:** 0.150"  $\pm$ .010

---

**Rim OD:** 3.635"  $\pm$ .010

---

**Bottom OD:** 2.843"  $\pm$ .010

---

**Bottom Depth:** 0.400"  $\pm$ .010

---

**Shipping:** FOB NV

---

Mid 12oz Container (U2) available in [Double-Poly Paper](#)  
[Single-Poly Paper](#) [Plastic-Free Paper](#)

---

## C9U2 Standard Case Pack Configuration

Box Dimensions: 19.25"x15.25"x23.38"

Box Volume: 3.97 Cubic Feet

Box Weight: 28 lbs

Box Content: 1,000 Pieces

Pallet Dimensions: 40.00"x48.00"x90"

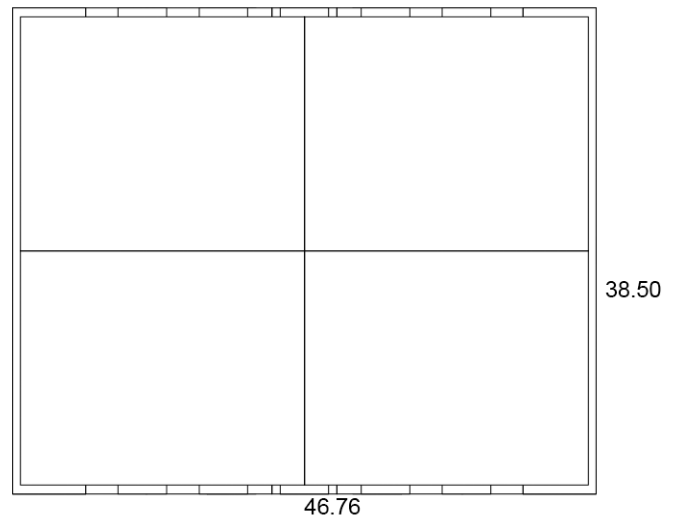
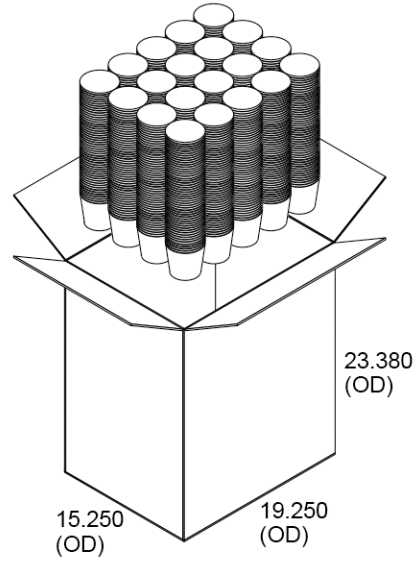
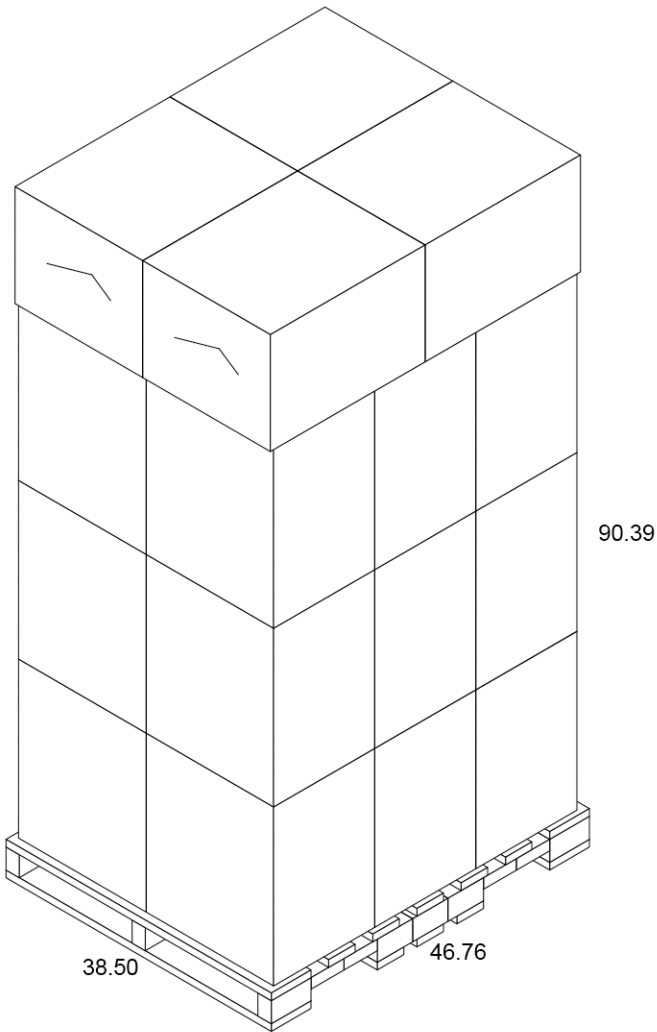
Pallet Weight: 661 lbs

Pallet Content: 22,000 Pieces / 22 Boxes

SEE LID OPTIONS ON LAST PAGE

# Pallet for C9U2 (Gloss), M9U2 (Matte)

## 12oz Mid-U2 Paper Container-Double Poly



## Lid Options for C9U2 (Gloss), M9U2 (Matte)

12oz Mid-U2 Paper Container-Double Poly



### P2 Printed Snap-Fit Paper

- Hi-Definition, Full Color
- Customizable
- Seamlessly registered text
- Uninterrupted text
- Three week leadtime
- Case: 500 - 11 lbs



### Reusable Basic Lid

- Reusable, injection molded
- Black & white standard
- Available in red
- No straw slot
- Call for shipping info